



# HDB3

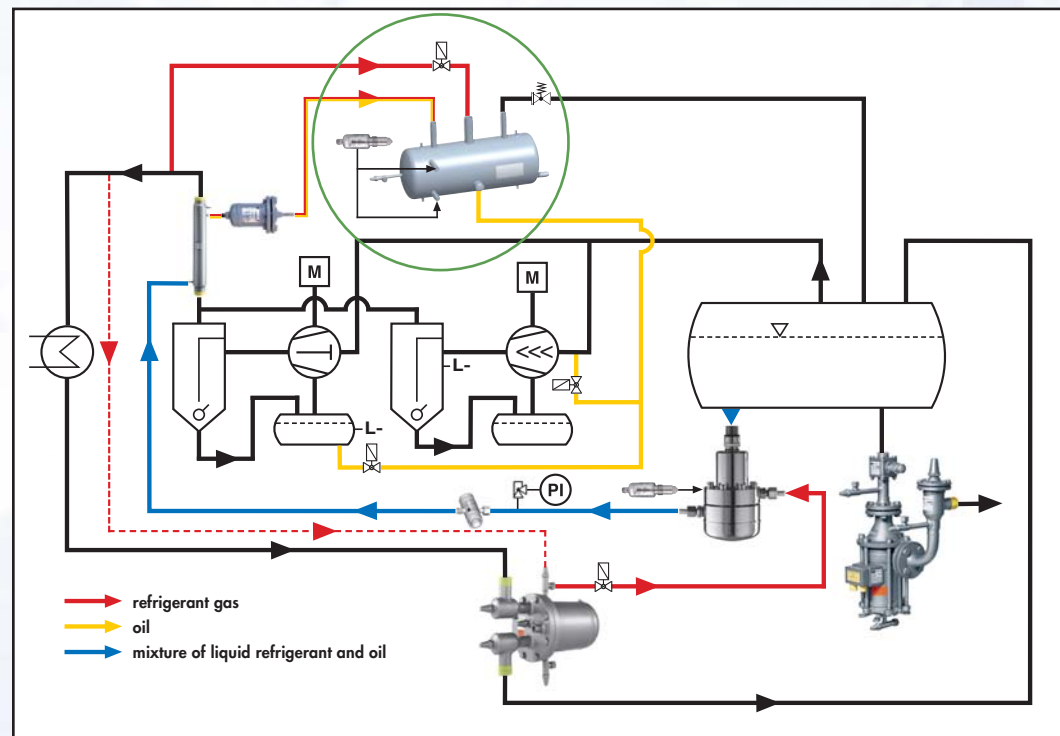
**Stainless Steel  
Oil drain vessel**





# HDB3

## Stainless Steel Oil drain vessel



### Stay flexibel

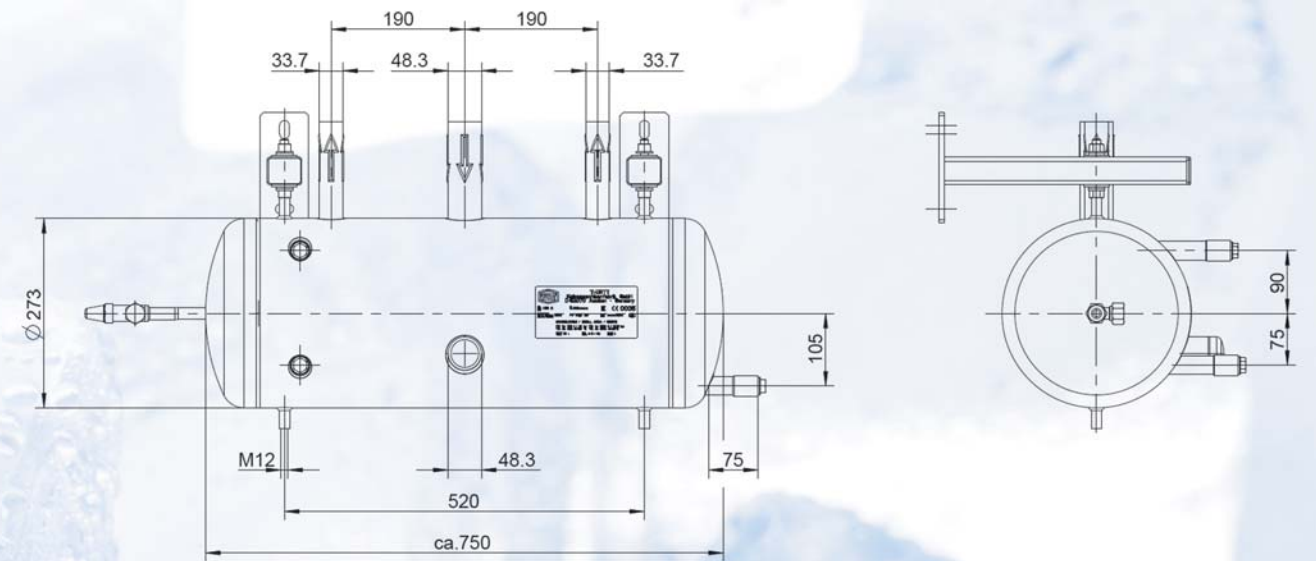
The WITT HDB can be used as an oil drain vessel, or oil distribution vessel to provide multiple compressors with oil, or as supplement/additional oil dome for installation of an automatic oil return system.

### Make it easy

Our stainless steel HDB does not require maintenance or insulation. It is normally sufficient to use ambient heat to evaporate any liquid refrigerant that accumulates. If this is found to be insufficient, an electrical heater element can be fitted to the thermowell if necessary.

### Reduce your planning effort

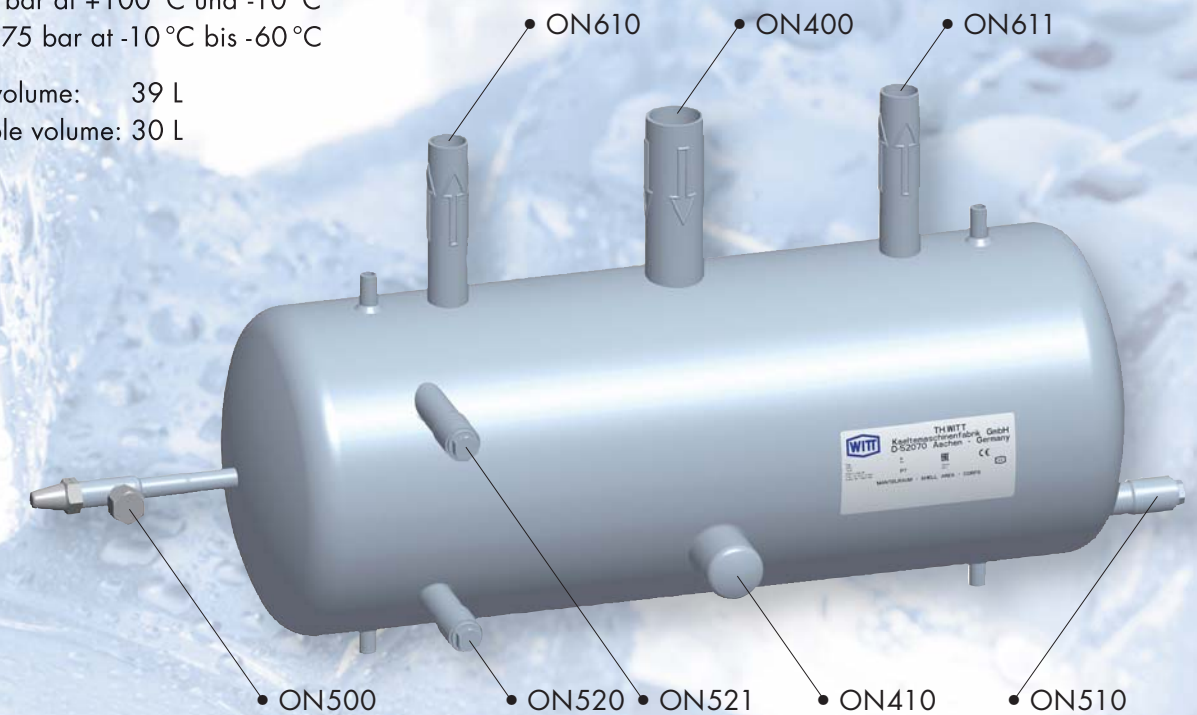
Because of our comprehensive design philosophy the Stainless Steel HDB has all required nozzles. Connections are provided for min/max level control; with the optional oil sensor a demand-actuated control can be activated. The HDB can be installed suspended from above or supported from below by means of built in threaded mounting pads top & bottom, using standard mounting brackets. The settlement of any dirt or sludge has been taken into account and its subsequent carry-over is mitigated by our design. You can mount the HDB on feet or suspended with standard brackets.



### Allowed pressure/temperature range

- 1/25 bar at +100 °C und -10 °C
- 1/18,75 bar at -10 °C bis -60 °C

Total volume: 39 L  
Useable volume: 30 L



### Scope of delivery

- **HDB vessel in stainless steel**, according to AD2000 and PED
- **Connection DN40** for supply of refrigerant/oil mixture (ON400)
- **Connection DN25** for safety valve (ON610)
- **Connection DN40** for BDP/Distribution (ON410)
- **Connection DN25** for equalisation line/reserve (ON611)
- **Connection G½"** min and max. level + screw plugs (ON520/21)
- **Ölablassstutzen** with EA10GB/VA
- **SSV6 quick acting valve** for connection to EA10 (supplied loose)
- **Thermowell G½" connection** for optional electrical heater element (ON510)
- **Mounting sockets M12** top and bottom
- **Bracket + required fastening material**

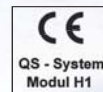
### Optional equipment scope of delivery

- **Electrical heater 200 W element**
- **Oil sensor G½"** with encased gasket for installation into min/max connections
- **Overflow valve**
- **BDP** for automatic oil return incl. Connection-Valve
- **EA10GBL/VA** for pressure gauge
- **Pressure gauge** with stand



## High quality refrigeration components

- Hermetic refrigerant pumps HRP
- Open refrigerant pumps GP
- High side float regulators HR/HS
- High side float regulators for heat pumps WP3HR up to 65 bar
- Maximum level switch NGX
- Automatic oil recovery BDP
- Economizer ECO
- Pumping stations
- Plate heat exchanger units PVS/PVE
- Standard-Separator-Evaporator-Assembly SAV
- NH<sub>3</sub>/CO<sub>2</sub> Cascades
- Compact ECO Chiller WEC
- Stainless Steel Oil drain vessel HDB3



Lukasstraße 32  
52070 Aachen, Germany  
☎ +49 (0)2 41 1 82 08-0  
☎ +49 (0)2 41 1 82 08-490

[www.th-witt.com](http://www.th-witt.com)